

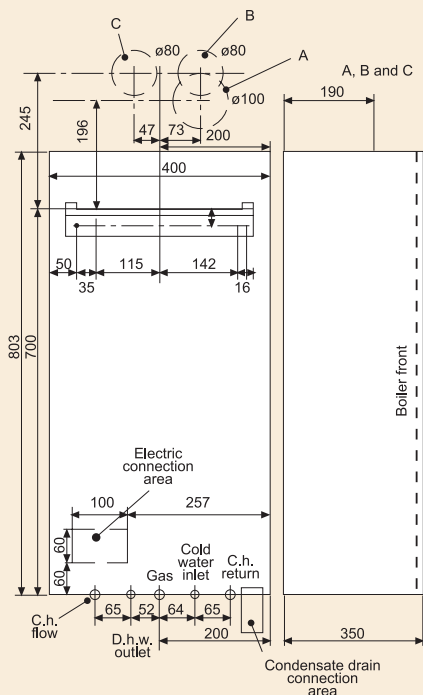


*A lot extra  
for a little  
bit more ...*



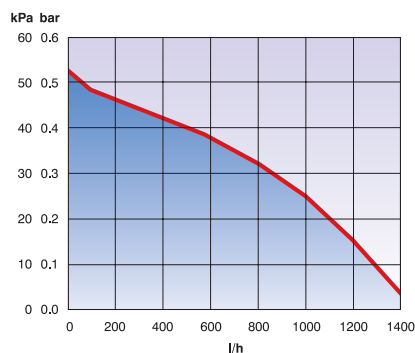
*High Efficiency  
Condensing  
Combination  
Boilers*

## Fixing holes and connection pipes positions

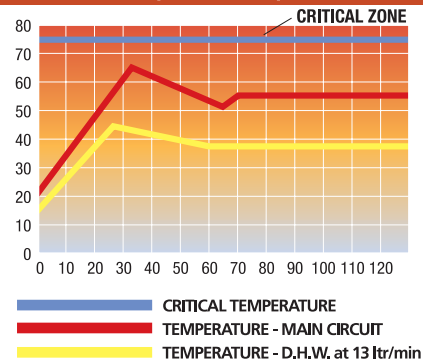


- A - air intake/flue outlet pipe (co-axial)
- B - flue outlet pipe  $\varnothing$  80 mm (twin kit)
- C - air intake pipe  $\varnothing$  80 mm (twin kit)

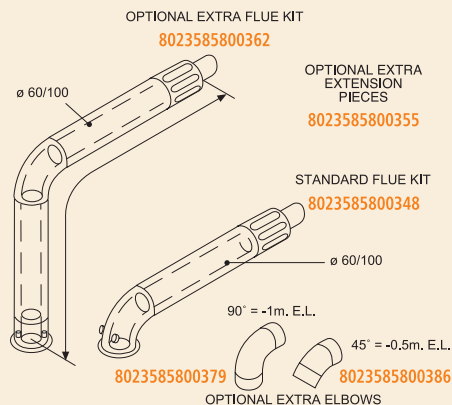
### AVAILABLE PUMP PRESSURE



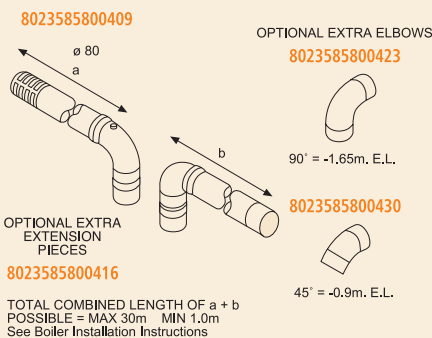
### TEMP. WITH ANTI-SCALE SYSTEM (t = 25 °C)



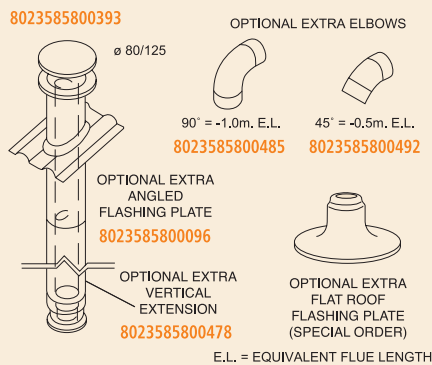
## HORIZONTAL TERMINATING FLUE KITS



## TWIN TUBE FLUE KITS (OPTIONAL EXTRA)



## VERTICAL FLUE KIT (OPTIONAL EXTRA)



This product has an energy rating B on a scale of A to G. For more information see [www.boilers.org.uk](http://www.boilers.org.uk). This is a certification mark.

TECHNICAL DATA		M96.24 SM/B SM/D	M96.28 SM/B SM/D
Nominal Heat Input	kW	25.0	29.0
	Btu's/hr	85,295	98,942
Minimum Heat Input	kW	11.0	13.0
	Btu's/hr	37,530	44,353
Minimum Useful Output	kW	10.2	12.1
Non Condensing	Btu's/hr	34,936	41,284
Minimum Useful Output	kW	11.1	13.2
Condensing	Btu's/hr	37,871	44,965

CENTRAL HEATING			
Heat Output	Max	kW	24.6
Non Condensing		Btu's/hr	83,973
Heat Output	Max	kW	26.6
Condensing		Btu's/hr	90,754
Max System Pressure		bar	3.0
Minimum Cold Fill Pressure		bar	0.3
Normal System Operating Pressure		bar	1.3 to 2.7
Available Pump Pressure (at 1000 litres/hr)		bar	0.25
Max Flow Temperature		°C	85
Min Flow Temperature		°C	38
Min Return Temperature		°C	30

DOMESTIC HOT WATER			
Max Temperature		°C	55
Min Temperature		°C	35
Max Pressure		bar	10.0
Min Pressure		bar	0.3
Normal Working Pressure Range		bar	0.3 to 5.0
Minimum Flow Rate		l/min	2.5
Flow Rate (30° rise)		l/min	12.1
Flow Rate (35° rise)		l/min	10.1
Flow Rate (40° rise)		l/min	8.7

OTHER DATA			
Voltage Frequency	V/Hz	230/50	230/50
Power	Watts	140	160
Height	mm	803	803
Width	mm	400	400
Depth	mm	350	350
Weight	kg	42.5	44.5
C/H Flow & Return Connections	mm	22	22
Gas Inlet Connection	mm	22	22
DHW Inlet & Outlet Connections	mm	15	15
Condensate Drain (plastic)	mm	25	25
Standard Coaxial Flue Pipe (Nominal Length 750mm)	mm	60/100	60/100
Max Permissible Horiz Flue Length	m	2.7	2.7
Min Permissible Horiz Flue Length	m	0.3	0.3

Refer to specific boiler Installation Instructions for conformation of flue arrangements.

EFFICIENCY		
Seasonal Efficiency		87.7%
SEDBUK Rating		B
Building Regulations - Part L compliant		B

CLEARANCE REQUIREMENTS		
Top and Bottom	mm	200
Left Hand Side	mm	25
Right Hand Side	mm	50
Min Front Clearance req. in Operation	mm	50
Min Front Clearance req. for Servicing & Maintenance	mm	600



Biasi UK Limited, Planetary Road Industrial Estate, Neachells Lane, Willenhall, Wolverhampton, WV13 3XB • Email: [sales@biasi.uk.com](mailto:sales@biasi.uk.com) • Web: [www.biasi.co.uk](http://www.biasi.co.uk)

**SALES:** Tel: 01902 304304 • Fax: 01902 304321  
**SERVICE:** Tel: 01902 304400 • Fax: 01902 307160